

# Optik 6636 F

**Model number:**

105742

**Dimensions:** 66" x 36" x 24"

**Installation:** Freestanding

**Material:** Acrylic



## Standard Features:

- Sleek 2-piece freestanding combines straight and curvaceous lines
- Inclined backrest, curvaceous inset armrests, deep bathing well
- Two deck widths for different styles of faucet
- Center drain and 4 adjustable leveling legs
- Above-the-Floor Rough (AFR) and F<sup>2</sup> Drain compatible
- Apron available in standard colors and 5 designer colors

## Product characteristics:

- Elegant design
- Integrated Armrest
- Deck Space for Faucet

## Warranty:

25 Years

## Standard colors:



White (001)



Bone (004)



Biscuit (007)

## Certifications

MAAX products adhere to one or more of the following certifications:



## Options (Visit our website for a complete list of our options)

No	Description
<input type="checkbox"/> OPT 10054-XXX	TWO CHROMA.LIGHT FOR TUB W OR W/O SYST.
<input type="checkbox"/> OPT 10117-001-	MINIMALISTE CUSHION WHITE
<input type="checkbox"/> OPT 10119-084-	ELECTRONIC CTR FR AEROFEEL,AEROEFFECT CH

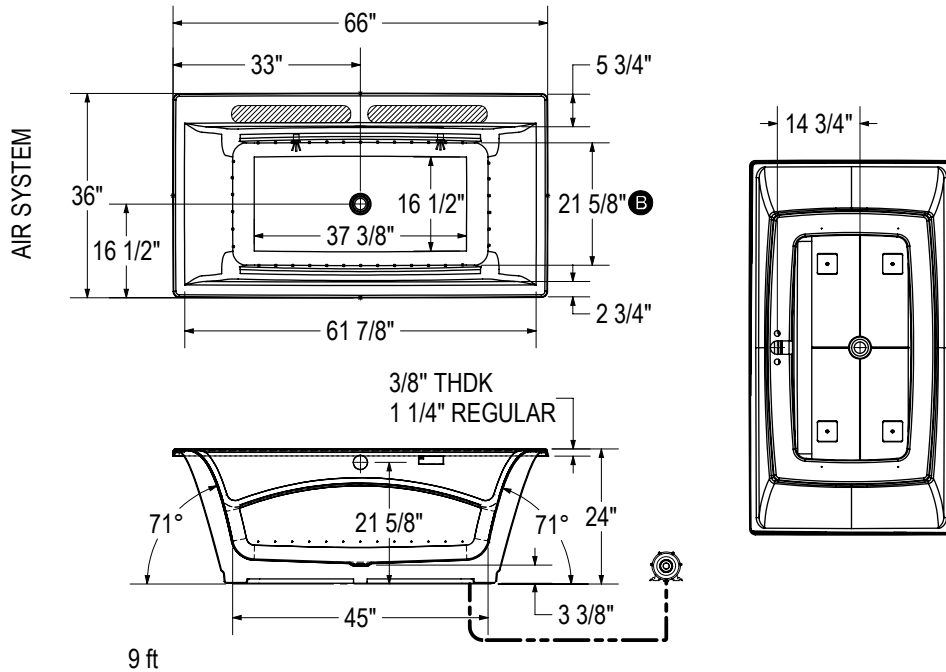
# Optik 6636 F

**Model number:** 105742

**Dimensions:** 66" x 36" x 24"

**Installation:** Freestanding

**Material:** Acrylic



- ⓑ : Specify remote blower location when ordering
- ( ⊕ ) : Indicates airjets positioning
- ( ☼ ) : Indicates chromatherapy light positioning
- ( ▨ ) : Recommended faucet area 2 sections of 20" (L) x 3 1/4" (W).

**Blower must be installed at a distance.**

**All dimensions are approximate. Structure measurements must be verified against the unit to ensure proper fit.**

Project:

Contractor:

Representative:

Date:

Tel:

Notes: